



Key Products Guide

Total System Solutions from Tee to Green



Single Source. Multiple Choice.

Rain Bird is the only manufacturer devoted exclusively to irrigation. That means you have our commitment to provide you with fully integrated, end-to-end solutions for your entire course. Planning a system for new construction? Renovating or upgrading an existing layout? Reducing maintenance costs? Improving resource efficiencies or complying with mandated regulations? Rain Bird offers a multitude of options to precisely meet your needs. Experience the difference of working with the one company that lives and breathes irrigation.

It's what we do. It's all we do.

■ Golf Rotors 4	■ Accessories and Tools 11
■ IC System™ 6	■ Valve Boxes 12
■ Integrated Course Control 8	■ Central Control Systems 13
■ Field Controllers 10	

The TRUE Benefits™ of a Rain Bird System

Timeless Compatibility™

Every Rain Bird golf irrigation product is engineered for Timeless Compatibility, allowing you to have a state-of-the-art system that can be updated or changed without your existing equipment becoming obsolete.



Real-Time Response

Rain Bird offers constant field monitoring with real-time communication, allowing the system to optimise for maximum efficiency and control. Whether adjusting to unpredictable weather conditions, unexpected course challenges or catastrophic issues, real-time response keeps you operating at peak levels.



Unmatched Quality

Through advanced engineering, design and testing, Rain Bird delivers on its mission to provide industry-leading quality to our customers. Our stringent testing procedures are implemented at the first launch of every product as well as regularly throughout the year, and they replicate the world's harshest conditions.



Easy To Use

All Rain Bird products are engineered with the challenges of golf professionals in mind and designed to deliver everyday ease of use. From software interfaces to rotor designs, they help you and your team find a quicker, hassle-free path to top playability.



Golf Rotors

Peace of Mind Today. Continuous Innovation for the Future.

Trusted by golf course professionals everywhere, Rain Bird rotors deliver unrivalled performance and uniformity for excellent playability. Game-changing innovation is built into every model, including high-efficiency nozzles, industry-leading surge resistance and the widest range of throw in a single rotor.



QUICK-CHANGE NOZZLE
All it takes is a simple screwdriver.

SELF-ADJUSTING STATOR
Automatically adjusts the flow based on installed nozzle.




EAGLE™ 900/950 Series

Big spaces demand big performance. Our 900/950 Series Rotors deliver extra-long throw ranges, increased droplet size and uniformity that is reliable and consistent. Choose full-circle 900 Series or 950 Series for part-circle precision application.


Rain Bird® 702/752 Series NEW

702/752 Series Rotors offer unmatched flexibility and dependability across your entire course, with simple “turn-of-the-screw” adjustments, and the industry’s largest nozzle selection. Experience the intelligent ease of patented Memory Arc® technology built into our 752 Series, allowing you to switch between full and part-circle settings without resetting the arc.


Features



IC SYSTEM™
Take precision to the next level by adding Integrated Control (IC) to your Rain Bird rotors (see page 6). The IC System provides revolutionary anywhere/anytime diagnostics and feedback to help you maintain the best playing conditions.



GBS25 PROTECTION
All Rain Bird electric rotors (except IC) feature a robust GBS25 solenoid. You get unmatched 25kV surge protection standard, and built-in filtration from debris. This Rain Bird exclusive virtually eliminates the most common maintenance tasks that plague competing rotors.



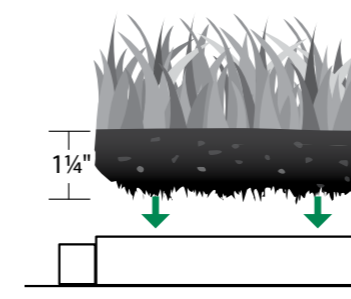
TOP SERVICEABILITY
All Rain Bird golf rotors feature top-serviceable arc adjustments and pressure regulation, as well as quick access to internal components. This is just one more way that Rain Bird makes your job easier.

Quick Specs

	552 Block Rotors		702 Series		752 Series		900 Series		950 Series	
Radius	33-55'	10.1-16.8 m	59-77'	18.0-23.5 m	20-84'	6.1-25.6 m	63-97'	19.2-29.6 m	70-92'	21.3-28.0 m
Flow Rate	6.80-14.00 (gpm)	1.54-3.18 (m³/h)	16.85-42.85 (gpm)	3.73-9.73 (m³/h)	6.67-46.55 (gpm)	1.51-10.57 (m³/h)	21.40-57.10 (gpm)	4.86-12.97 (m³/h)	19.50-59.40 (gpm)	4.43-13.49 (m³/h)
Arc	360° or 30-345°		360°		360° or 30-345°		360°		40-345°	

Sod Cup Kit

Enhance the playability and appearance of your course with easy-to-install sod cups. Turf growth directly on top of the rotor eliminates the need to trim around heads while keeping it easily accessible for service.



Only compatible with 702/752 valve-in-head rotors.

Low Angle Nozzle Housing

Rain Bird® 752 Series low angle nozzle housing with 15° trajectory accepts any of the twelve 752 Series nozzles, giving the user the capability to optimise rotors to meet challenging course conditions such as elevation differences and obstacles.



GOLF ROTORS

GOLF ROTORS

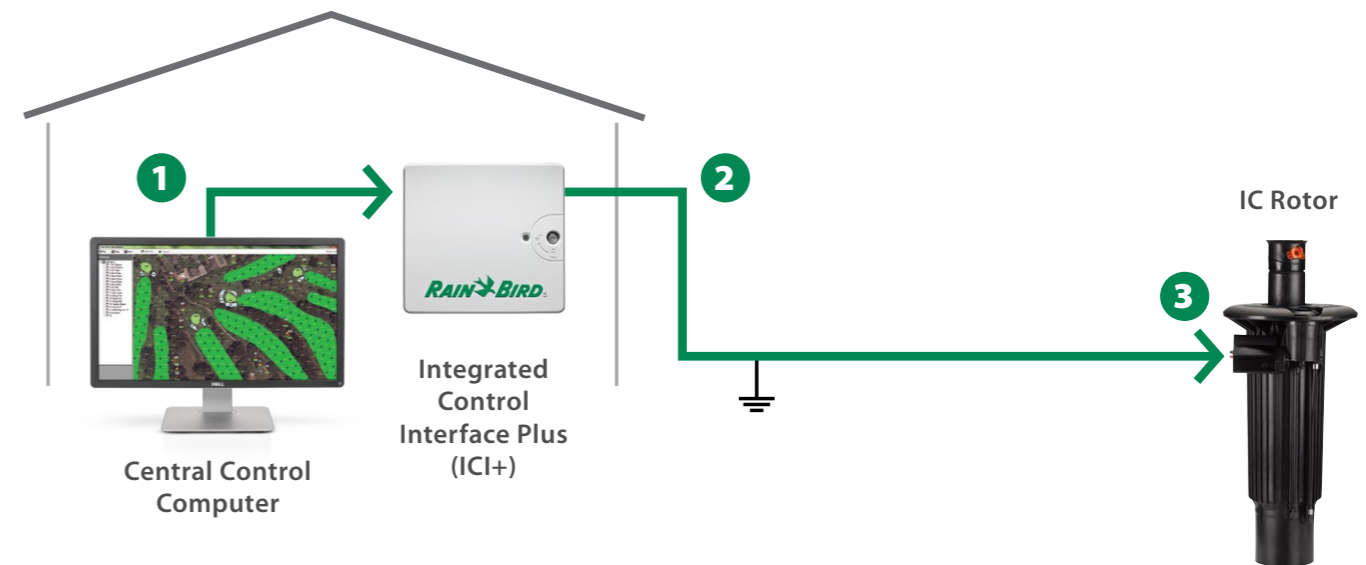
IC System™

Simplified from Installation to Expansion.

Achieving optimal playing conditions isn't so much an issue of working harder, it's working smarter. With an intuitive system operated from a computer, tablet or mobile device, Rain Bird's intelligent IC System with IC CONNECT™ puts control in your hands, anywhere. Communicate directly with every rotor on your course, gaining a one-of-a-kind capability to manage your property.



Benefit from the Simplicity of the IC System.



Pinpoint Control and Diagnostics

Control modules built into every rotor provide real-time information to the system. Access diagnostics and adjust rotors from any web-enabled device, from anywhere in the world. So fast and easy you can check the status of up to 1,000 rotors in 45 seconds.

Simplified Design

Choose the Rain Bird® IC System and eliminate up to 90% of the wire and all of the decoders and satellites. Improves the appearance of your course while saving valuable time and eliminating unnecessary costs.

Streamlined Installation

With simplified wiring requirements, you can dramatically reduce installation time and costs. Eliminates more than 50% of the splicing required with two-wire control systems. Why take on that extra vulnerability?

Easy Expandability

A Rain Bird IC System is an excellent choice for today and tomorrow. Should your system need to expand, you can install additional IC Rotors anywhere there is a MAXI™ Cable, supporting the use of up to 36,000 rotors.



Get More Control with IC CONNECT

IC CONNECT allows you to feed more data into your system with IC-IN and remotely control field equipment using IC-OUT. Here are just a few of the numerous connectivity options:

IC-IN

- Rain cans
- Flow sensors
- Lake level sensors

IC-OUT

- Transfer pumps
- Greens fans
- Fountains and water features
- Lighting



Integrated Course Control

One Interface. Expansive Possibilities.

With the ability to bring together Rain Bird's intelligent IC System™, Two-Wire Satellites and LINK™ (wireless) Satellites, the Rain Bird® ICI+ is the industry's first integrated interface. This revolutionary interface is ideal for phased-in renovations or expansions, offering a less disruptive and more economical way to add the IC System and IC CONNECT™, to an existing Rain Bird satellite system.

Three Options in One Interface

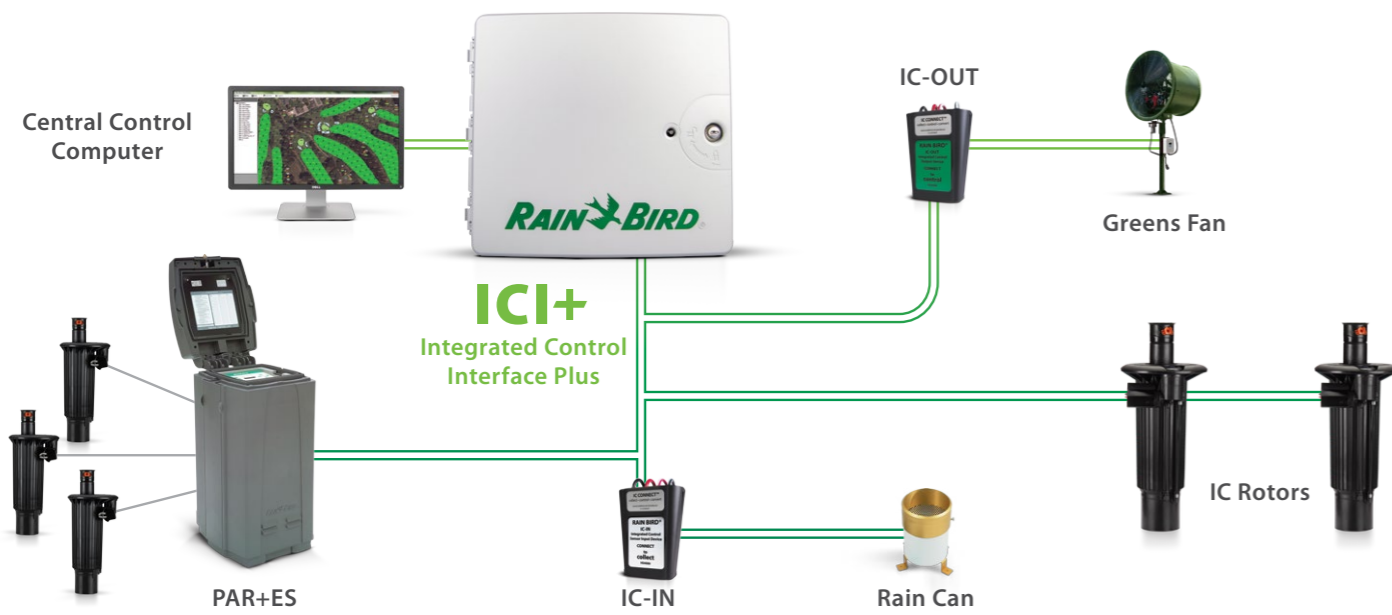
Manage Rain Bird Two-Wire Satellites, LINK Satellites, IC System or any combination of all three from one interface.

An Easier Way to Upgrade

Extend the life of your current Rain Bird satellite system and get the latest in irrigation technology without a complete overhaul.

Unmatched Wireless Capabilities

Enjoy greater design flexibility without communication wires and license requirements with the ICI+LINK and LINK 900 MHz radios.



ICI+ **NEW**

Upgrade without a major overhaul with ICI+ and ICI+LINK. Make it affordable to expand or renovate your course—extending the life of your current system.



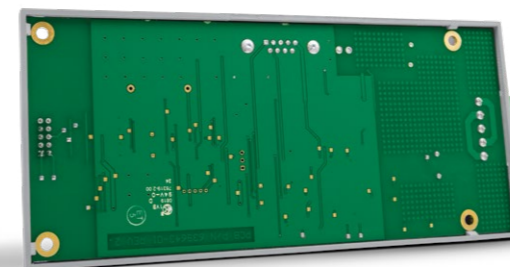
Access the Latest Technology

- Add IC Rotors, IC Valves and IC CONNECT™ onto your existing Rain Bird satellite system with the industry's only complete course solution.
- With IC CONNECT, you can manage integrated control sensor inputs to collect information from your course and turn non-irrigation products on and off.



IFX Satellite Board **NEW**

By updating your existing Rain Bird® MSC+, PAR+ and PAR+ES Controllers with the IFX Satellite Board¹, you now have the ability to add IC Rotors and Valves by simply tapping into the existing satellite MAXI™ Cable².



IFX
CONNECTED



¹The IFX Satellite Board is standard in all new Rain Bird PAR+ES Satellites and is compatible with all MSC+, PAR+ and PAR+ES Satellites.

²Requires a Rain Bird ICI+ Interface.

INTEGRATED COURSE CONTROL

INTEGRATED COURSE CONTROL

Field Controllers

Maintain Control.

Rain Bird offers a range of proven field controllers and communications that makes designing, scheduling, adjusting and maintaining your system as easy as possible, while optimising course playability and appearance. Each is fully compatible with any Rain Bird® Central Control system.

PAR+ES Controllers

Rain Bird® PAR+ES Controllers feature up to 72-Station capability, unlimited programmes with Central Control, premium surge protection, standard extensive diagnostics and a best-in-class pedestal enclosure.

The flexible PAR+ES can be ordered in the following configurations:

- Standalone controller
- Satellite with two-wire module
- Satellite with LINK™ (wireless) module

All configurations are offered with a weather proof and impact-resistant plastic pedestal.



Winged Foot Golf Club

Decoders

Rain Bird decoders offer the best of both worlds: you get “best-in-class,” expandable field control with central control systems; and, the underground installation improves your course aesthetics and playability. Ideal for renovation projects, these easy-to-install decoders are time-tested and proven on many of the top courses around the world.



MRLK

The MAXI® Remote Location Kit — or MRLK — utilises 900 MHz radios to remotely position a field interface anywhere on the golf course. This allows for flexibility when renovating a system if the computer and interface are unable to be at the same location.

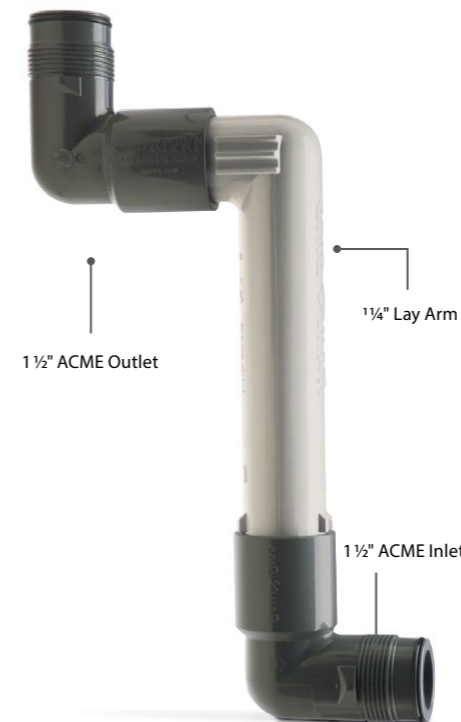
Accessories & Tools

Enhance the Performance of Your Irrigation System.

Rain Bird has a full line of quality tools and accessories for the service and maintenance of your system. Constructed of heavy-duty metal alloys and durable plastic, these tools are lightweight and easy to use. Rain Bird also offers accessory products to help you get the most out of your entire irrigation system.

Swing Joints

Maximise the performance and protect any Rain Bird rotor with our high-performance swing joints. Available in a wide range of configurations, the unique swept elbow design reduces pressure loss by up to 50% to promote consistent flow and optimal watering. Allows for easy adjustment of rotor to grade to prevent damage when run over by equipment. Extended Rain Bird golf rotor warranty available when purchased and installed with Rain Bird swing joints.



Quick-Coupling Valves and Valve Keys

Industrial-strength brass quick-coupling valves for convenient water access in potable and non-potable systems. Rugged, red brass construction for long life and reliable performance. Reliable operation with strong corrosion-resistant stainless steel spring.



FIELD CONTROLLERS

ACCESSORIES & TOOLS

Valve Boxes

A Better Choice For Your Course.

At Rain Bird, innovation doesn't stop at the rotor. From durable fabrication to intuitive design features, Golf Valve Boxes are built to a standard the competition can't match.

Strength & Stability

Multiple sizes and shapes are designed with corrugated sides and wide-flange bases for maximum durability, compression strength and stability.

Smart Lid Design

Designed with no holes to keep out pests and bevelled edges to minimise potential damage from golf equipment, along with easy hand and shovel access.

Flexible Installations

Interlocking stacking capabilities, extension models and pipe hole knock-outs support deeper, more flexible installations.

Environmentally Friendly

Earth-conscious, LEED-compliant composition made of 100% recycled materials.



Size	7" Round	10" Round	Standard	Jumbo
Bottom Diameter	9.9" (25.1 cm)	13.7" (34.9 cm)	—	—
Length x Width	—	—	21.8" (55.4 cm) x 16.6" (42.2 cm)	26.3" (66.8 cm) x 19.8" (50.3 cm)
Height	9.0" (22.9 cm)	10.0" (25.4 cm)	12.0" (30.5 cm)	12.1" (30.7 cm)
Number of Knock-Outs	4	4	13	2
Pipe Sizing	Knock-outs sized with 2" (50 mm) pipe	Knock-outs sized with 2" (50 mm) pipe	2 knock-outs sized for 3" (80 mm) pipe 11 knock-outs sized for 2" (50 mm) pipe	Knock-outs sized with 3" (80 mm) pipe

Central Control Systems

Puts You in 24/7 Command.

Rain Bird® Central Control systems not only optimise performance automatically, but they also give you the power to make critical decisions in real time with intuitive, flexible solutions. In an effort to maintain superior turf and playing conditions, you need to be able to quickly respond to changing conditions minute by minute.



Cirrus™

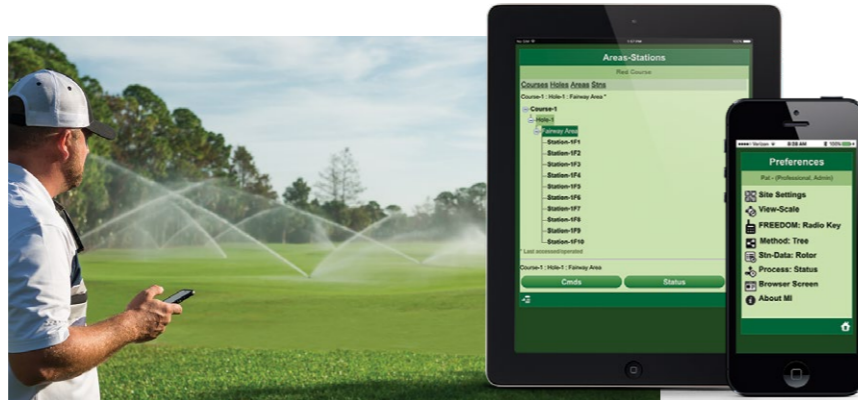
Cirrus controls many of golf's most sophisticated irrigation systems. GPS geo-referenced images. State-of-the-art ET-based scheduling. Cirrus delivers the most innovative features in an intuitive package that lets you spend less time dealing with issues and more time with solutions.

Specifications

Map-Based Control	Up to 3 Courses (54 Holes)
Programmes	Unlimited
Schedules	Up to 50 per Programme
Interfaces	Up to 12
Satellite Stations	Up to 32,256
IC Stations	Up to 36,000
Pump Stations	Up to 6
Weather Stations	Up to 5

MI Series™ Mobile Controllers

The MI Series software lets you use up to nine devices simultaneously to remotely manage your system from anywhere in the world. Control sprinklers, adjust programmes, run diagnostics, edit station and programme details, and review system activity from any web-enabled computer, tablet or smartphone.



Rain Watch™

Take advantage of the patented Rain Watch technology that comes standard with every Central Control system. You'll get automatic real-time decision-making information based on accurate rainfall measurements.

Up to four high-resolution rain cans can be placed throughout your course to collect up-to-the-minute rainfall data. Rain Watch utilizes data to modify the amount of water applied for optimal irrigation based on user-defined responses.



Smart Pump™

Reduce maintenance and deliver significant energy savings with this proprietary software that integrates directly with Rain Bird Central Control. It improves pump performance more than any other comparable product on the market.

Rain Bird will repair or replace at no charge any Rain Bird professional product that fails in normal use within the warranty period stated below. You must return it to the dealer or distributor where you bought it. Product failures due to acts of God including without limitation, lightning and flooding, are not covered by this warranty. This commitment to repair or replace is our sole and total warranty.

Implied Warranties of Merchantability and Fitness, if Applicable, are Limited to One Year from the Date of Sale. We will not, under any circumstances be liable for incidental or consequential damages, no matter how they occur.

I. Landscape Irrigation Products

1800® Series Pop-Up Spray Heads, U-Series Nozzles, Brass MPR Nozzles, A-8S and PA-8S-PRS Shrub Adapters, and 1300 and 1400 Bubblers, 5000 Series Rotors, 5500 Series Rotors, 7005/8005 Rotors, Falcon® 6504 Series Rotors, PEB and PESB Plastic Valves – **5 Years**

All other Landscape Irrigation products – **3 years**

II. Golf Products

Rain Bird Golf Rotors – **3 years**, extended to **5 years** if installed in conjunction with Rain Bird Swing Joints. Proof of concurrent installation is required.

Swing Joints – **5 years**

Brass Remote Control Valves, Valve Boxes and Brass Quick Coupling and Keys – **3 years**

Filtration system controllers – **3 years**

LINK™ Radios – **3 years**

Golf Controllers and Satellites – **1 year**

All other golf products – **1 year**

III. Agricultural Products

LF Series Sprinklers – **5 years**

Other Impact Sprinklers – **2 years**

All other AG products – **1 year**

IV. Pump Stations

Rain Bird guarantees that its pump station will be free of manufacturer defects for three years from the date of start-up but not beyond forty months from the date of purchase by the original customer with a copy of the seller's invoice required for coverage under this Policy. Start-up or service by anyone other than a Rain Bird authorized representative, when required, will void these terms and conditions.

Provided that all installation, start-up, operation responsibilities, and recommended maintenance procedures have been properly executed and performed by authorized Rain Bird representatives, when required, Rain Bird will replace or repair, at Rain Bird's option, any Rain Bird part found to be defective under normal recommended use during the effective period of this Policy, such evaluation to be solely determined by Rain Bird. Rain Bird's only obligation and customer's exclusive remedy under this Policy is limited to repair or replacement, at Rain Bird's option, of the parts or the products the defects of which are reported to Rain Bird within the applicable Policy period, which prove to be defective and such evaluation will be solely determined by Rain Bird.

In no case will Rain Bird cover labor costs associated with repair or replacement of parts beyond one year from date of start-up. Repairs performed and parts used at Rain Bird's expense must be authorized by Rain Bird, in writing, prior to repairs being performed. Product repairs or replacement under this Policy will not extend this Policy. Coverage for repaired or replaced product shall end when this Policy terminates. Rain Bird's sole obligation and customer's exclusive remedy under this Policy shall be limited to such repair or replacement.

Upon request, Rain Bird may provide advice on trouble-shooting a defect during the effective period of this Customer Satisfaction Policy. Repair service must be performed by a Rain Bird authorized representative regardless of whether the labor is covered by Rain Bird or is at the owner's expense during the effective period of this Policy. However, no service, replacement or repair under this Customer Satisfaction Policy will be rendered while the customer is in default of any payments due to Rain Bird.

Rain Bird will not accept responsibility for costs associated with the removal, replacement or repair of equipment in difficult-to-access locations and such evaluation will be solely determined by Rain Bird. Difficult-to-access locations include (but are not limited to) locations where any of the following are required:

- | | |
|-------------------------------|--|
| 1) Cranes larger than 15 tons | 5) Dredging |
| 2) Divers | 6) Roof removal or other such construction/deconstruction requirements |
| 3) Barges | 7) Any other unusual means or requirements |
| 4) Helicopters | |

Such extraordinary cost associated with difficult-to-access locations shall be the sole responsibility of the customer, regardless of the reason requiring removal, repair or replacement of the equipment.

The terms and conditions of this Customer Satisfaction Policy do not cover damage, loss or injury caused by or resulting from the following:

- | | |
|---|---|
| 1) Misapplication, abuse, or failure to conduct routine maintenance (to include winterization/winter lay-up procedures). | 9) Non-WYE configured power supplies such as open delta, phase converters or other forms of unbalanced three phase power supplies. |
| 2) Pumping of liquids other than fresh water as defined by the U.S. Environmental Protection Agency, unless the pump station quoted by Rain Bird specifically lists these other liquids and their concentrations. | 10) Improper electrical grounding or exposure to incoming power lacking circuit breaker or fused protection. |
| 3) Use of pesticides (to include insecticides, fungicides and herbicides), free chlorine or other strong biocides. | 11) Using the control panel as a service disconnect. |
| 4) Exposure to electrolysis, erosion, or abrasion. | 12) Lightning, earthquake, flood, windstorm or other Acts of Nature. |
| 5) Use or presence of destructive gases or chemicals unless these materials and their concentrations are specified in the Rain Bird quotation. | 13) Failure of pump packing seal (unless the failure occurs on initial start-up). |
| 6) Electrical supply voltages above or below those specified for correct pump station operation. | 14) Any damage or loss to plants, equipment or groundwater or injury to people caused by the failure of or improper use of an injection system or improper concentration of chemicals or plant nutrients introduced into the pump station by an injection system. |
| 7) Electrical phase loss or reversal. | 15) Any failure of nutrient or chemical storage or spill containment equipment or facilities associated with the pump station location. |
| 8) Use of a power source other than that specified in the original quotation. | |

The foregoing terms and conditions constitute Rain Bird's entire pump station customer satisfaction policy. This policy is exclusive and in lieu of any other warranties whatsoever, whether express, implied, or statutory including the implied warranties of merchantability and fitness for a particular purpose, which are all hereby expressly disclaimed. The sole remedy under this policy shall be limited to the repair or replacement of the pump station or its components pursuant to the terms and conditions contained herein. In the case of any components or injection systems manufactured by others (as noted on the pump station quotation), there is no warranty provided by Rain Bird and these items are covered solely by and to the extent of the warranty if any, offered by those other manufacturers.

Rain Bird shall not be liable to the customer or any other person or entity for any liability, loss, delay or damage caused or alleged to be caused, directly or indirectly, by any use, defect, failure or malfunction of the pump station or by any injection system whether a claim for such liability, loss, delay or damages is based upon warranty, contract, tort or otherwise. Rain Bird shall not be liable for incidental, consequential, collateral or indirect damages or delay or loss of profit or loss of use or any damages related to the customer's business operations, nor for those caused by acts of nature. In no case and under no circumstances shall Rain Bird's liability exceed the Rain Bird Corporation's net sale price of the pump station.

Laws concerning customer warranties and disclaimers vary from state to state, jurisdiction to jurisdiction, province to province or country to country and therefore some of the foregoing limitations may not apply to you. The exclusions and limitations set out above are not intended to, and should not be construed so as to contravene mandatory provisions of applicable law. If any part of this policy is held to be illegal, unenforceable or in conflict with applicable law by a court of competent jurisdiction, the validity of the remaining portions of this policy shall not be affected, and all rights and obligations shall be construed and enforced as if this policy did not contain the particular part or term held to be invalid.

V. All other products – 1 year

The Intelligent Use of Water.™

LEADERSHIP • EDUCATION • PARTNERSHIPS • PRODUCTS

At Rain Bird, we believe it is our responsibility to develop products and technologies that use water efficiently. Our commitment also extends to education, training and services for our industry and our communities.

The need to conserve water has never been greater. We want to do even more, and with your help, we can. Visit www.rainbird.com for more information about The Intelligent Use of Water.™



Mullacash North, Naas,
Co. Kildare, Ireland, W91 F970.

Tel: Ire: +353 (0) 45 856 026
Tel: UK: +44 (0) 1425 472 102

info@turfcare.eu
www.turfcare.eu